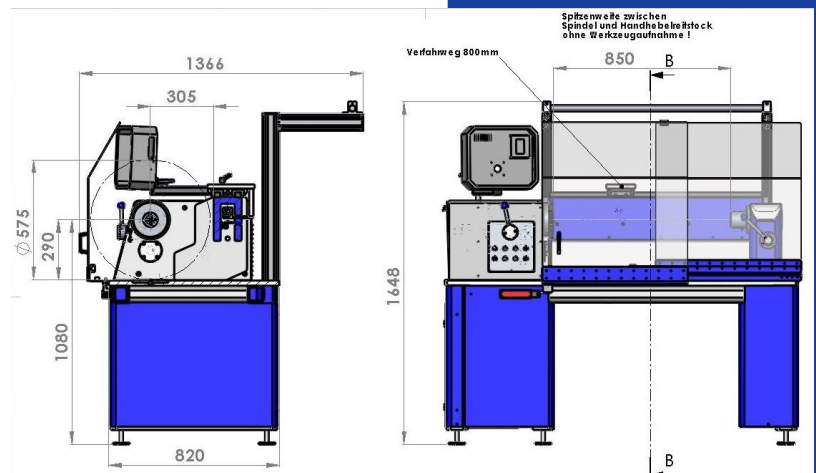


LW-90 Table Linear Winding Machine



The LW-90 is sturdy table Winder, for all high precision linear winding applications with primary and secondary winding. Required speed and torque range can easily be changed by the 2 step switch gear box, more over the belt ration can be simply changed with the pre installed transmission gears too.

The LW-90 is a strong universal winding machine with tailstock. Typical applications are winding jobs with thin and thick wire windings.

The controller is available in all languages. The programs can easily be created by a 10,4" touch screen. The machine has USB connection for import or export of winding programs. The programs can also be read and created by Excel. A connection to a network is possible, as well an internet connection by a modem for remote system check of our service personal.

A wide range of accessories are available for this machine too.

TECHNICAL DATA:

Wire range	0,01 – 6 mm
Traverse length.	900 mm
Max. coil diameter	550 mm
Max. pitch	99 mm
Drive motors.....	2 Servos
Main motor brushless	2,9 Kw
Traverse motor brushless	1 Kw
Switch gear box.....	2 Step
Program display	10.4 "Colour
Display	Touch Screen
PC connection	Yes
Downloading prog.	USB
Software languages.....	All Languages
Accuracy of pitch.....	0,001 mm
Weight approx.....	450 Kg
Supply voltages.....	3ph 400 V / 16A