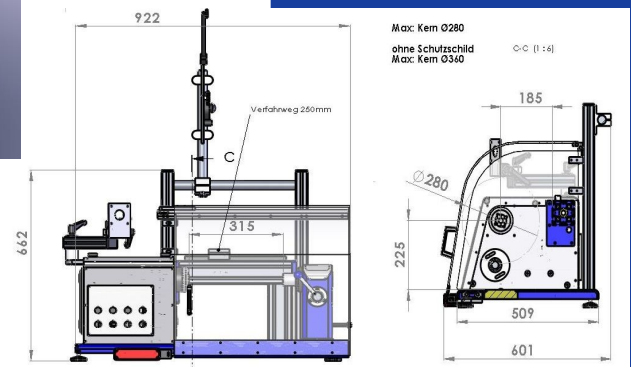
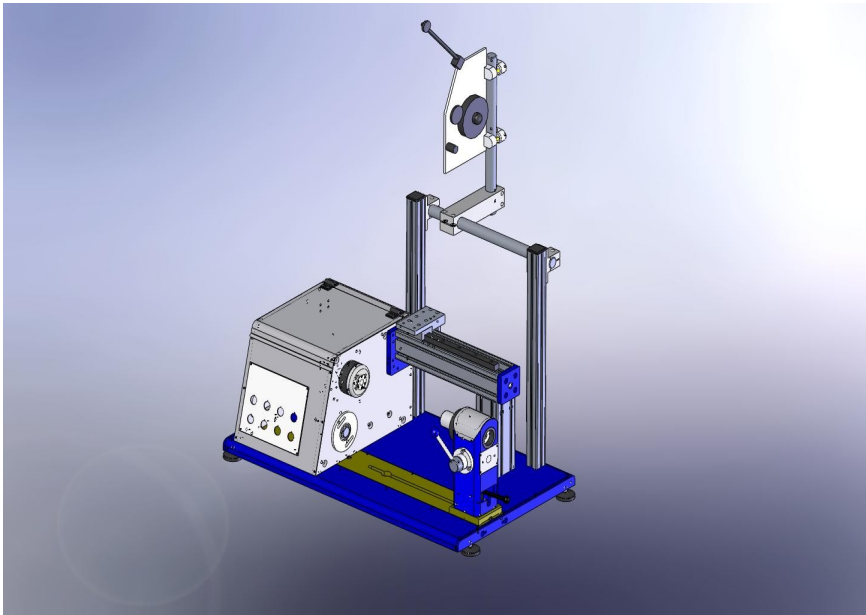


LW-20 Bench Top Linear Winding Machine



The LW-20 is a light designed bench top machine for all general and high precision linear winding applications. Required speed and torque range can easily be changed by the pre installed transmission gears.

The LW-20 is a small winding machine with a separate electrical box and optional tailstock. Typical applications are winding jobs with high number of turns. The LW-20 is mostly used as an economical bench top machine for small size coils with high no. of turns. The controller is available in all languages. The programs can easily be created by a 10,4" touch screen. The machine has USB connection for import or export of winding programs. The programs can also be read and created by Excel. A connection to a network is possible, as well as an internet connection by a modem for remote system check of our service personal.

A wide range of accessories are available for this machine too.

TECHNICAL DATA:

Wire range	0,01 – 3 mm
Traverse length	250 mm
Max. coil diameter	360 mm
Max. pitch	99 mm
Drive motors.....	2 Servos
Main motor brushless	1,5 Kw
Traverse motor brushless	400 w
Program display	10.4 "Colour Display
Display	Touch Screen
PC connection	Yes
Downloading prog.	USB
Software languages.....	All Languages
Accuracy of pitch.....	0,001 mm
Weight approx.....	40 Kg
Supply voltages.....	1ph 230 V / 16A