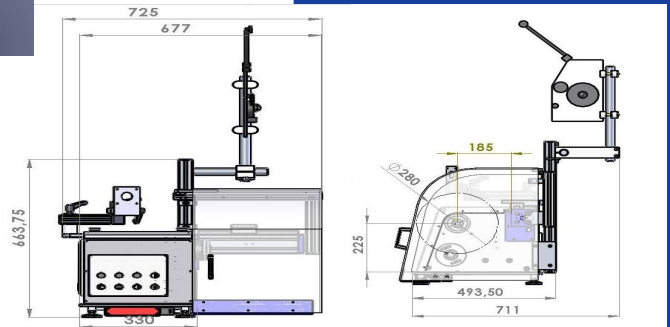
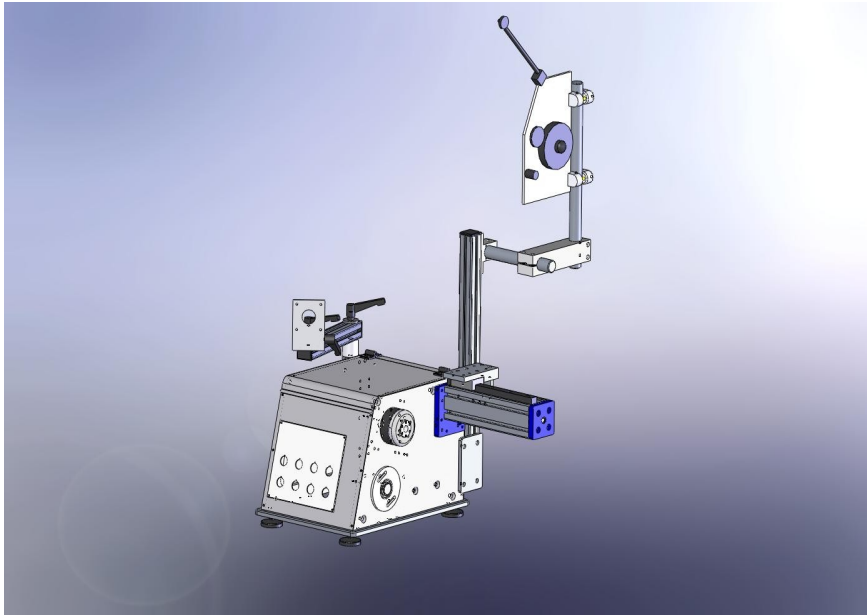


LW-15 Bench Top Linear Winding Machine



The LW-15 is a light designed bench top machine for all general and high precision linear winding applications. Required speed and torque range can easily be changed by the pre installed transmission gears.

The LW-15 is a small winding machine with a separate electrical box. Typical applications are winding jobs with high number of turns. The LW-15 is mostly used as an economical bench top machine for small size coils with high no. of turns. The controller is available in all languages. The programs can be easily created by a 10,4" touch screen. The machine has USB connection for import or export of winding programs. The programs can also be read and created by Excel. A connection to a network is possible, as well an internet connection by a modem for remote system check of our service personal.

A wide range of accessories are available for this machine too.

TECHNICAL DATA:

| | |
|--------------------------------|-----------------|
| Wire range | 0,01 – 3 mm |
| Traverse length | 150 mm |
| Max. coil diameter | 360 mm |
| Max. pitch | 99 mm |
| Drive motors..... | 2 Servos |
| Main motor brushless | 1,5 Kw |
| Traverse motor brushless | 400 w |
| Program display | 10.4 "Colour |
| Display | Touch Screen |
| PC connection | Yes |
| Downloading prog. | USB |
| Software languages..... | All Languages |
| Accuracy of pitch..... | 0,001 mm |
| Weight approx..... | 30 Kg |
| Supply voltages..... | 1ph 230 V / 16A |